



CALIFORNIA STATE UNIVERSITY
SAN BERNARDINO

Department of Kinesiology



OBJECTIVES

1. Introduce the department (10 min)
2. FAQs about advising (45 min)
3. Plan courses for the next few semesters

WHAT IS KINESIOLOGY?

Kinesiology is the art and scientific study of human movement

DEPARTMENT OF KINESIOLOGY

- ~950 students
- 17 full time faculty
- Over 30 adjunct faculty & staff members



TIPS FOR SUCCESS

- Meet the faculty
- Develop professionalism
- Update MyCap plan every term
- Get involved outside of class
 - Kinesiology Student Association
 - Exercise is Medicine – On Campus
 - Research Teams

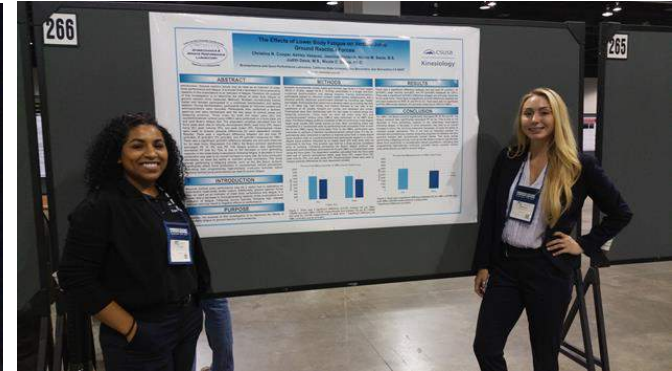
KINESIOLOGY STUDENT ASSOCIATION



RESEARCH



TRAVEL

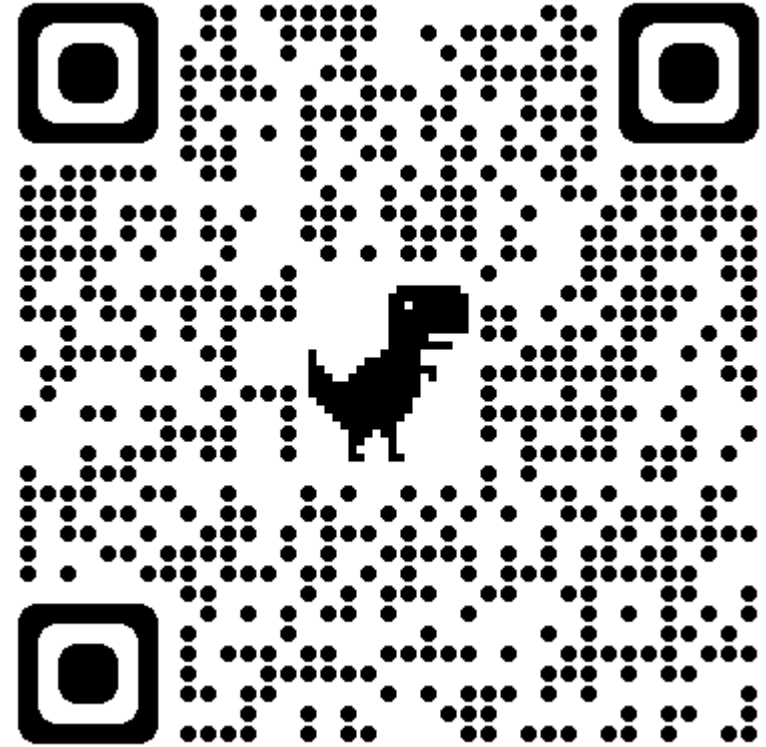


CONCENTRATIONS AND ADVISING

- Three concentrations at CSUSB
 - Exercise Science (ES)
 - Allied Health Professions (AHP)
 - Physical Education & Adapted Physical Education (PEAPE)

HOW DOES ADVISING WORK?

- Students use guidelines to plan courses on MyCap
- Make an appointment with a faculty advisor to get it checked
- Kinesiology Advising Coordinator:
 - Dr. Jason Ng
 - Jason.Ng@csusb.edu
 - Cameron Van Wye
 - Cameron.VanWye@csusb.edu



[Book an appointment](#)

FREQUENTLY ASKED QUESTIONS

What GE courses should I take?

1. Use the [General Education](#) advising sheets for guidance
2. Select GEs that also have WI, DI, and/or G in parentheses
3. See concentration advising sheets (more on this soon) for more major courses that also count as GEs

B.S. in Kinesiology - General Education Program

GE units required: 49 (this page)
Major units required: 71
Total units required for graduation: 120
For list of classes, see <https://bulletin.csusb.edu/general-education-program/>

Last updated: April 4, 2022

	GE Requirement	Category	Course Number	Course Name	Units	Prerequisites	Semester Offered	Quarter Equivalent	Notes	
University Foundations (21 units)	Foundation Seminar	E	KINE 2050	Foundations for Lifetime Fitness and Wellness	3		F/S	KINE 205		
	Oral Communication	A1			3					
	Written Communication	A2			3					
	Critical Thinking	A3			3					
	Mathematics/Quantitative Reasoning	B4	MATH 1301, MATH 1401, MATH 1601, or MATH 2210	1301: Modeling with Functions 1401: Accelerated Preparation for Calculus 1601: Modeling with Calculus 2210: Calculus I	4				•ES/PEAPE: take MATH 1301 as prerequisite for KINE 3700 •AHP: take MATH 1301, 1401, 1601, or 2210 depending on future graduate program	
	American Government	D1			3					
United States History/Ethnic Studies	D2/F			3				Catalog Year 2020 will see Category D2; Catalog Year 2021 will see Category F		
Disciplinary Perspective (28 units)	Scientific Inquiry (Category B)									
	Physical Science	B1			3					
	Life Science	B2	BIOL 2240	Human Anatomy & Physiology II	3		S	BIOL 224	Required for KINE students	
	Lab Activity	B3	BIOL 2240	Human Anatomy & Physiology II	1		S	BIOL 224	Required for KINE students	
	Upper Division Scientific Inquiry	B5	KINE 3000 or KINE 3700	3000: Exercise and Well-Being of the Human Body 3700: Statistics in Kinesiology	3	GE B4, KINE 3000	F/S		•ES/AHP: take KINE 3000 •PEAPE only: take KINE 3700	
	Arts & Humanities (Category C)									
	Arts	C1			3					
	Humanities	C2			3					
	Arts or Humanities	C3			3				Select another course from C1 or C2	
	Upper Division Arts or Humanities	C4			3					
Social Sciences (Category D)										
Social Sciences Discipline Perspective	D3			3						
Upper Division Social Science	D4			3						
Designations	Writing Intensive - Any GE w/WI	WI			--					
	Writing Intensive - UD w/WI	WI	KINE 3700	Statistics in Kinesiology	--	GE B4	F/S	KINE 370	Select classes above with these WI, DI, and G designations; avoid taking extra courses	
	Diversity and Inclusion	DI			--					
	Global Perspectives	G			--					

FREQUENTLY ASKED QUESTIONS

What Kinesiology courses should I take?

1. Prioritize the following:
 - a. BIOL 2230 (ASAP)
 - b. BIOL 2240 (immediately after BIOL 2230)
 - c. KINE 3200 & KINE 3800 (immediately after BIOL 2240)
 - d. KINE 3100
2. The first digit of each course number suggests the year to take that course.
 - E.g., BIOL **2**230 means take that during your **2nd** year
3. Use the one of the kinesiology advising sheets for more guidance:
 - a. [Allied Health Professions Concentration](#)
 - b. [Exercise Science Concentration](#)
 - c. [Physical Education & Adapted Physical Education Concentration](#)

FREQUENTLY ASKED QUESTIONS

What are the kinesiology advising sheets?

These are a lists of courses for each concentration with pertinent information

AHP

ES

PEAPE

B.S. in Kinesiology - Allied Health Professions (AHP)

GE units required: 49
Major units required: 71 (this page)
Total units required for graduation: 120

KINESIOLOGY CORE REQUIREMENTS: 35 UNITS

Course Number	Course Name
BIOL 2230	Human Anatomy & Physiology I
BIOL 2240	Human Anatomy & Physiology II
MATH	GE Category B4
KINE Activity	2 units of LD activity (1-unit per course)
KINE 2100	Orientation to Kinesiology
KINE 2700	Introduction to Fitness and Program
KINE 3100	Introduction to Adapted Physical Activity
KINE 3200	Principles of Human Movement
KINE 3400	Psychology & Sociology of Human Movement
KINE 3500	Motor Development Across the Lifespan
KINE 3700	Statistics in Kinesiology (WI)
KINE 3800	Exercise Physiology w/Lab
KINE 4100	Motor Learning & Control
KINE 4200	Seminar in Kinesiology

CONCENTRATION REQUIREMENTS - ALLIED HEALTH PROFESSIONS (AHP)

KINE 4800	Biomechanics w/Lab
PSYC 1100	Introduction to Psychology
PSYC 3390	Abnormal Psychology
CHEM 2100	General Chemistry I
CHEM 2100L	General Chemistry I Lab
CHEM 2200	General Chemistry II
CHEM 2200L	General Chemistry II Lab
PHYSICS - Choose either 10-unit bundle below:	
PHYS 2000	Introduction to Physics
PHYS 2000L	Introduction to Physics Lab
PHYS 2010	Introduction to Physics
PHYS 2010L	Introduction to Physics Lab
OR	
PHYS 2500	General Physics I
PHYS 2500L	General Physics I Lab
PHYS 2510	General Physics II
PHYS 2510L	General Physics II Lab

B.S. in Kinesiology - Exercise Science (ES)

GE units required: 49
Major units required: 71 (this page)
Total units required for graduation: 120

KINESIOLOGY CORE REQUIREMENTS: 35 UNITS

Course Number	Course Name
BIOL 2230	Human Anatomy & Physiology I
BIOL 2240	Human Anatomy & Physiology II
MATH	GE Category B4
KINE Activity	2 units of LD activity (1-unit per course)
KINE 2100	Orientation to Kinesiology
KINE 2700	Introduction to Fitness and Program
KINE 3100	Introduction to Adapted Physical Activity
KINE 3200	Principles of Human Movement
KINE 3400	Psychology & Sociology of Human Movement
KINE 3500	Motor Development Across the Lifespan
KINE 3700	Statistics in Kinesiology (WI)
KINE 3800	Exercise Physiology w/Lab
KINE 4100	Motor Learning & Control
KINE 4200	Seminar in Kinesiology

CONCENTRATION REQUIREMENTS - EXERCISE SCIENCE (ES)

KINE 2300	Prevention & Care of Athletic Injuries
KINE 3600	Physical Activity & Aging
KINE 3810	Sports & Exercise Nutrition
KINE 4400	Exercise Testing & Prescription w/Lab
KINE 4800	Biomechanics w/Lab
KINE 2200	Medical Terminology
KINE 2500	Observational Field Experience in Exercise Science
KINE 3250	Exercise Techniques for Resistance Training
KINE 3510	Exercise Science Research Seminar
KINE 3900	Health & Fitness Business Management
KINE 4300	Environmental Exercise Physiology
KINE 4500	Principles of Strength & Conditioning
KINE 4600	EKG Interpretation & Stress Testing
KINE 4700	Clinical Exercise Physiology w/Lab

Students must take 9 units of any core

B.S. in Kinesiology - Physical Education & Adapted Physical Education (PEAPE)

GE units required: 49
Major units required: 71 (this page)
Total units required for graduation: 120

KINESIOLOGY CORE REQUIREMENTS: 35 UNITS - does not include BIOL 2240 (4 units) or GE B4 (3 units) because they're already counted as GEs

Course Number	Course Name	Units	Prerequisites	Semester Offered	Quarter Equivalent	Notes
BIOL 2230	Human Anatomy & Physiology I	4		F	BIOL 223	
BIOL 2240	Human Anatomy & Physiology II	4	BIOL 2230	S	BIOL 224	Counts toward GE B2
MATH	GE Category B4	3		F,S		Counts toward GE B4; Suggest: ES/PEAPE (MATH 1301), AHP (MATH 1301, 1401, 1601, or 2210)
KINE Activity	2 units of LD activity (1-unit per course x 2)	2		F,S	KINE activity	PEAPE: Take KINE 2610 (Teaching/Coaching for Dance) instead (counts as 2 units)
KINE 2100	Orientation to Kinesiology	3		F,S	KINE 210 & 310	
KINE 2700	Introduction to Fitness and Programming	3		F,S	KINE 270	
KINE 3100	Introduction to Adapted Physical Activity	3		F,S	KINE 311	
KINE 3200	Principles of Human Movement	3	BIOL 2240	F,S		All students need this
KINE 3400	Psychology & Sociology of Human Movement	3		F,S	KINE 323 & 324	
KINE 3500	Motor Development Across the Lifespan	3		F,S	KINE 325	
KINE 3700	Statistics in Kinesiology (WI)	3	GE B4	F,S	KINE 370	WI: Counts as GE Writing-intensive designation
KINE 3800	Exercise Physiology w/Lab	4	BIOL 2240	F,S	KINE 481	
KINE 4100	Motor Learning & Control	3		F,S	KINE 410	
KINE 4200	Seminar in Kinesiology	1	Senior Standing	F,S	KINE 490	

CONCENTRATION REQUIREMENTS - PHYSICAL EDUCATION & ADAPTED PHYSICAL EDUCATION: 36 UNITS

KINE 2540	Field Work in PEAPE w/Lab	2		F,S	KINE 254	
KINE 2611	Teaching/Coaching for Gymnastics	2		F,S	KINE 261F	
KINE 2612	Teaching/Coaching for Swimming	2	KINE 1370A or pass swim test	F,S	KINE 261H	
KINE 2620	Teaching/Coaching for Combative/Fitness	3		F,S	KINE 261 (one of M/N)	
KINE 2630	Teaching/Coaching for Individual/Dual Sports	3		F,S	KINE 261 (one of B/G/J)	
KINE 2640	Teaching/Coaching for Team Sports	3		F,S	KINE 263 A-E (4 courses)	
KINE 2650	Teaching/Coaching for Fundamental Movement, Nontraditional Games	3		F,S		
KINE 3300	Movement skill Assessment for individuals with Disabilities	3	KINE 3100	F,S	KINE 330	
KINE 3320	The Nature and Issues Concerning individuals with Disabilities	3	KINE 3100	F,S	KINE 332	
KINE 3330	Applied Behavior Management	3		F,S	KINE 333	
KINE 4720	Program Design in Physical Education	3		F,S	KINE 472	
KINE 4730	Instructional Strategies in Physical Education	3		F,S	KINE 473	
KINE 4900	Seminar in PEAPE	3	KINE 2540, 3100, & 90 Semester Units	F,S	KINE 334 & 490	

Last updated: February 24, 2022

FREQUENTLY ASKED QUESTIONS

How do I use the Advising Sheets?

B.S. in Kinesiology		B.S. in Kinesiology		B.S. in Kinesiology - Physical Education & Adapted Physical Education (PEAPE)						
GE units required: 15		GE units required: 15		GE units required: 49						
Major units required: 15		Major units required: 15		Major units required: 71 (this page)						
Total units required: 30		Total units required: 30		Total units required for graduation: 120						
KINESIOLOGY CORE REQUIREMENTS: 35 UNITS - does not include BIOL 2240 (4 units) or GE B4 (3 units) because they're already counted as GE's		KINESIOLOGY CORE REQUIREMENTS: 35 UNITS - does not include BIOL 2240 (4 units) or GE B4 (3 units) because they're already counted as GE's		KINESIOLOGY CORE REQUIREMENTS: 35 UNITS - does not include BIOL 2240 (4 units) or GE B4 (3 units) because they're already counted as GE's						
Course Number	Course Name	Units	Prerequisites	Semester Offered	Quarter Equivalent	Notes				
BIOL 2230	Human Anatomy & Physiology I	4		F	BIOL 223					
BIOL 2240	Human Anatomy & Physiology II	4	BIOL 2230	S	BIOL 224	Counts toward GE B2				
MATH	GE Category B4	3		F,S		Counts toward GE B4; Suggest: ES/PEAPE (MATH 1301), AHP (MATH 1301, 1401, 1601, or 2210)				
KINE Activity	2 units of LD activity (1-unit per course x 2)	2		F,S	KINE activity	PEAPE: Take KINE 2610 (Teaching/Coaching for Dance) instead (counts as 2 units)				
KINE 2100	Orientation to Kinesiology	3		F,S	KINE 210 & 310					
KINE 2700	Introduction to Fitness and Programming	3		F,S	KINE 270					
KINE 3100	Introduction to Adapted Physical Activity	3		F,S	KINE 311					
KINE 3200	Principles of Human Movement	3	BIOL 2240	F,S		All students need this				
KINE 3400	Psychology & Sociology of Human Movement	3		F,S	KINE 323 & 324					
KINE 3500	Motor Development Across the Lifespan	3		F,S	KINE 325					
KINE 3700	Statistics in Kinesiology (WI)	3	GE B4	F,S	KINE 370	WI: Counts as GE Writing-Intensive designation				
KINE 3800	Exercise Physiology w/Lab	4	BIOL 2240	F,S	KINE 481					
KINE 4100	Motor Learning & Control	3		F,S	KINE 410					
KINE 4200	Seminar in Kinesiology	1	Senior Standing	F,S	KINE 490					
CONCENTRATION REQUIREMENTS - PHYSICAL EDUCATION & ADAPTED PHYSICAL EDUCATION: 36 UNITS				CONCENTRATION REQUIREMENTS - PHYSICAL EDUCATION & ADAPTED PHYSICAL EDUCATION: 36 UNITS						
KINE 2540	Field Work in PEAPE w/Lab	2		F,S	KINE 254					
KINE 2611	Teaching/Coaching for Gymnastics	2		F,S	KINE 261F					
KINE 2612	Teaching/Coaching for Swimming	2	KINE 1370A or pass swim test	F,S	KINE 261H					
KINE 2620	Teaching/Coaching for Combative/Fitness	3		F,S	KINE 261 (one of M/N)					
KINE 2630	Teaching/Coaching for Individual/Dual Sports	3		F,S	KINE 261 (one of B/G/J)					
KINE 2640	Teaching/Coaching for Team Sports	3		F,S	KINE 263 A-E (4 courses)					
KINE 2650	Teaching/Coaching for Fundamental Movement, Nontraditional Games	3		F,S						
KINE 3300	Movement Skill Assessment for Individuals with Disabilities	3	KINE 3100	F,S	KINE 330					
KINE 3320	The Nature and Issues Concerning Individuals with Disabilities	3	KINE 3100	F,S	KINE 332					
KINE 3330	Applied Behavior Management	3		F,S	KINE 333					
KINE 4720	Program Design in Physical Education	3		F,S	KINE 472					
KINE 4730	Instructional Strategies in Physical Education	3		F,S	KINE 473					
KINE 4900	Seminar in PEAPE	3	KINE 2540, 3100, ≥90 Semester Units	F,S	KINE 334 & 490					

Last updated: February 24, 2022

Top half: identical for all concentrations

Bottom half: concentration-specific courses



FREQUENTLY ASKED QUESTIONS

How do I use the Advising Sheets?

Course # & name

Look for pre-requisites

Look for notes

B.S. in Kinesiology		B.S. in Kinesiology		B.S. in Kinesiology - Physical Education & Adapted Physical Education (PEAPE)						
GE units required: 18 Major units required: 18 Total units required: 36		GE units required: 18 Major units required: 18 Total units required: 36		GE units required: 49 Major units required: 71 (this page) Total units required for graduation: 120						
KINESIOLOGY		KINESIOLOGY		KINESIOLOGY CORE REQUIREMENTS: 35 UNITS - does not include BIOL 2240 (4 units) or GE B4 (3 units) because they're already counted as GEs						
Course Number	Course Name	Units	Prerequisites	Semester Offered	Quarter Equivalent	Notes				
BIOL 2230	Human Anatomy & Physiology I	4		F	BIOL 223					
BIOL 2240	Human Anatomy & Physiology II	4	BIOL 2230	S	BIOL 224	Counts toward GE B2				
MATH	GE Category B4	3		F,S		Counts toward GE B4; Suggest: ES/PEAPE (MATH 1301), AHP (MATH 1301, 1401, 1601, or 2210)				
KINE Activity	2 units of LD activity (1-unit per course x 2)	2		F,S	KINE activity	PEAPE: Take KINE 2610 (Teaching/Coaching for Dance) instead (counts as 2 units)				
KINE 2100	Orientation to Kinesiology	3		F,S	KINE 210 & 310					
KINE 2700	Introduction to Fitness and Programming	3		F,S	KINE 270					
KINE 3100	Introduction to Adapted Physical Activity	3		F,S	KINE 311					
KINE 3200	Principles of Human Movement	3	BIOL 2240	F,S		All students need this				
KINE 3400	Psychology & Sociology of Human Movement	3		F,S	KINE 323 & 324					
KINE 3500	Motor Development Across the Lifespan	3		F,S	KINE 325					
KINE 3700	Statistics in Kinesiology (WI)	3	GE B4	F,S	KINE 370	WI: Counts as GE Writing-Intensive designation				
KINE 3800	Exercise Physiology w/Lab	4	BIOL 2240	F,S	KINE 481					
KINE 4100	Motor Learning & Control	3		F,S	KINE 410					
KINE 4200	Seminar in Kinesiology	1	Senior Standing	F,S	KINE 490					
CONCENTRATION REQUIREMENTS - PHYSICAL EDUCATION & ADAPTED PHYSICAL EDUCATION: 36 UNITS										
KINE 2540	Field Work in PEAPE w/Lab	2		F,S	KINE 254					
KINE 2611	Teaching/Coaching for Gymnastics	2		F,S	KINE 261F					
KINE 2612	Teaching/Coaching for Swimming	2	KINE 1370A or pass swim test	F,S	KINE 261H					
KINE 2620	Teaching/Coaching for Combative/Fitness	3		F,S	KINE 261 (one of M/N)					
KINE 2630	Teaching/Coaching for Individual/Dual Sports	3		F,S	KINE 261 (one of B/G/J)					
KINE 2640	Teaching/Coaching for Team Sports	3		F,S	KINE 263 A-E (4 courses)					
KINE 2650	Teaching/Coaching for Fundamental Movement, Nontraditional Games	3		F,S						
KINE 3300	Movement Skill Assessment for Individuals with Disabilities	3	KINE 3100	F,S	KINE 330					
KINE 3320	The Nature and Issues Concerning Individuals with Disabilities	3	KINE 3100	F,S	KINE 332					
KINE 3330	Applied Behavior Management	3		F,S	KINE 333					
KINE 4720	Program Design in Physical Education	3		F,S	KINE 472					
KINE 4730	Instructional Strategies in Physical Education	3		F,S	KINE 473					
KINE 4900	Seminar in PEAPE	3	KINE 2540, 3100, 290 Semester Units	F,S	KINE 334 & 490					

Last updated: February 24, 2022



FREQUENTLY ASKED QUESTIONS

How do I use the Advising Sheets?

Why?

1. Prioritize the following:

- BIOL 2230 (ASAP)
- BIOL 2240 (immediately after BIOL 2230)
- KINE 3200 & KINE 3800 (immediately after BIOL 2240)
- KINE 3100

B.S. in Kinesiology - Allied Health Professions (AHP)

GE units required: 49
Major units required: 71 (this page)
Total units required for graduation: 120

KINESIOLOGY CORE REQUIREMENTS: 35 UNITS - does not include BIOL 2240 (4 units) or GE B4 (3 units) because they're already counted as GEs

Course Number	Course Name	Units	Prerequisites
BIOL 2230	Human Anatomy & Physiology I	4	
BIOL 2240	Human Anatomy & Physiology II	4	BIOL 2230
MATH	GE Category B4	3	
KINE Activity	2 units of LD activity (1-unit per course x 2)	2	
KINE 2100	Orientation to Kinesiology	3	
KINE 2700	Introduction to Fitness and Programming	3	
KINE 3100	Introduction to Adapted Physical Activity	3	
KINE 3200	Principles of Human Movement	3	BIOL 2240
KINE 3400	Psychology & Sociology of Human Movement	3	
KINE 3500	Motor Development Across the Lifespan	3	
KINE 3700	Statistics in Kinesiology (WI)	3	GE B4
KINE 3800	Exercise Physiology w/Lab	4	BIOL 2240
KINE 4100	Motor Learning & Control	3	
KINE 4200	Seminar in Kinesiology	1	Senior Standing

CONCENTRATION REQUIREMENTS - ALLIED HEALTH PROFESSIONS: 36 UNITS - does not include PSYC 1100

KINE 4800	Biomechanics w/Lab	4	GE B, KINE 3200
PSYC 1100	Introduction to Psychology	3	
PSYC 3390	Abnormal Psychology	3	PSYC 1100
CHEM 2100	General Chemistry I	4	MATH 1401, 1402, 1601, 2210, or 2220
CHEM 2100L	General Chemistry I Lab	1	
CHEM 2200	General Chemistry II	4	CHEM 2100 (≥C grade)
CHEM 2200L	General Chemistry II Lab	1	
PHYSICS - Choose either 10-unit bundle below:			
Bundle A	PHYS 2000 - Introduction to Physics I	4	MATH 1601 or 2210 (≥C grade)
	PHYS 2000L - Introduction to Physics I Lab	1	coreq: PHYS 2000
	PHYS 2010 - Introduction to Physics II	4	PHYS 2000
	PHYS 2010L - Introduction to Physics II Lab	1	PHYS 2000, PHYS 2000L coreq: PHYS 2010
Bundle B	PHYS 2500 - General Physics I	4	MATH 2210 coreq: MATH 2220
	PHYS 2500L - General Physics I Lab	1	MATH 2210 coreq: MATH 2220 & PHYS 2500
	PHYS 2510 - General Physics II	4	MATH 2220 & PHYS 2500
	PHYS 2510L - General Physics II Lab	1	MATH 2220, PHYS 2500, PHYS 2500L coreq: PHYS 2510

B.S. in Kinesiology - Exercise Science (ES)

GE units required: 49
Major units required: 71 (this page)
Total units required for graduation: 120

KINESIOLOGY CORE REQUIREMENTS: 35 UNITS - does not include BIOL 2240 (4 units) or GE B4 (3 units) because they're already counted as GEs

Course Number	Course Name	Units	Prerequisites
BIOL 2230	Human Anatomy & Physiology I	4	
BIOL 2240	Human Anatomy & Physiology II	4	BIOL 2230
MATH	GE Category B4	3	
KINE Activity	2 units of LD activity (1-unit per course x 2)	2	
KINE 2100	Orientation to Kinesiology	3	
KINE 2700	Introduction to Fitness and Programming	3	
KINE 3100	Introduction to Adapted Physical Activity	3	
KINE 3200	Principles of Human Movement	3	BIOL 2240
KINE 3400	Psychology & Sociology of Human Movement	3	
KINE 3500	Motor Development Across the Lifespan	3	
KINE 3700	Statistics in Kinesiology (WI)	3	GE B4
KINE 3800	Exercise Physiology w/Lab	4	BIOL 2240
KINE 4100	Motor Learning & Control	3	
KINE 4200	Seminar in Kinesiology	1	Senior Standing

CONCENTRATION REQUIREMENTS - EXERCISE SCIENCE: 36 UNITS

ES Core (17 units)	KINE 2300	Prevention & Care of Athletic Injuries	3	BIOL 2240
	KINE 3600	Physical Activity & Aging	3	
	KINE 3810	Sports & Exercise Nutrition	3	
	KINE 4400	Exercise Testing & Prescription w/Lab	4	KINE 3800
ES Electives (choose 10 units)	KINE 4800	Biomechanics w/Lab	4	GE B4, KINE 3200
	KINE 2200	Medical Terminology	3	
	KINE 2500	Observational Field Experience in ES/AHP	2	
	KINE 3250	Exercise Techniques for Resistance Training w/Lab	3	BIOL 2240
	KINE 3510	Exercise Science Research Seminar	1	
	KINE 3900	Health & Fitness Business Management	3	
	KINE 4300	Environmental Exercise Physiology	3	KINE 3800
Other Electives (9 units)	KINE 4500	Principles of Strength & Conditioning	3	KINE 3200, 3800
	KINE 4600	EKG Interpretation & Stress Testing w/Lab	4	KINE 3800
	KINE 4700	Clinical Exercise Physiology w/Lab	4	KINE 3800
	Students must take 9 units of any course from any department to meet this requirement.			

B.S. in Kinesiology - Physical Education & Adapted Physical Education (PE)

GE units required: 49
Major units required: 71 (this page)
Total units required for graduation: 120

KINESIOLOGY CORE REQUIREMENTS: 35 UNITS - does not include BIOL 2240 (4 units) or GE B4 (3 units) because they're already counted as GEs

Course Number	Course Name	Units	Prerequisites	Semester Offered	Quarter Equivalent
BIOL 2230	Human Anatomy & Physiology I	4		F	BIOL 223
BIOL 2240	Human Anatomy & Physiology II	4	BIOL 2230	S	BIOL 224
MATH	GE Category B4	3		F,S	
KINE Activity	2 units of LD activity (1-unit per course x 2)	2		F,S	KINE activity
KINE 2100	Orientation to Kinesiology	3		F,S	KINE 210 & 310
KINE 2700	Introduction to Fitness and Programming	3		F,S	KINE 270
KINE 3100	Introduction to Adapted Physical Activity	3		F,S	KINE 311
KINE 3200	Principles of Human Movement	3	BIOL 2240	F,S	
KINE 3400	Psychology & Sociology of Human Movement	3		F,S	KINE 323 & 324
KINE 3500	Motor Development Across the Lifespan	3		F,S	KINE 325
KINE 3700	Statistics in Kinesiology (WI)	3	GE B4	F,S	KINE 370
KINE 3800	Exercise Physiology w/Lab	4	BIOL 2240	F,S	KINE 481
KINE 4100	Motor Learning & Control	3		F,S	KINE 410
KINE 4200	Seminar in Kinesiology	1	Senior Standing	F,S	KINE 490

CONCENTRATION REQUIREMENTS - PHYSICAL EDUCATION & ADAPTED PHYSICAL EDUCATION: 36 UNITS

KINE 2540	Field Work in PEAPE w/Lab	2		F,S	KINE 254
KINE 2611	Teaching/Coaching for Gymnastics	2		F,S	KINE 261F
KINE 2612	Teaching/Coaching for Swimming	2	KINE 1370A or pass swim test	F,S	KINE 261H
KINE 2620	Teaching/Coaching for Combative/Fitness	3		F,S	KINE 261 (one of M/N)
KINE 2630	Teaching/Coaching for Individual/Dual Sports	3		F,S	KINE 261 (one of B/G/J)
KINE 2640	Teaching/Coaching for Team Sports	3		F,S	KINE 263 A-E (4 courses)
KINE 2650	Teaching/Coaching for Fundamental Movement, Nontraditional Games	3		F,S	
KINE 3300	Movement Skill Assessment for individuals with Disabilities	3	KINE 3100	F,S	KINE 330
KINE 3320	The Nature and Issues Concerning Individuals with Disabilities	3	KINE 3100	F,S	KINE 332
KINE 3330	Applied Behavior Management	3		F,S	KINE 333
KINE 4720	Program Design in Physical Education	3		F,S	KINE 472
KINE 4730	Instructional Strategies in Physical Education	3		F,S	KINE 473
KINE 4900	Seminar in PEAPE	3	KINE 254, 3100, ≥90 Semester Units	F,S	KINE 334 & 490

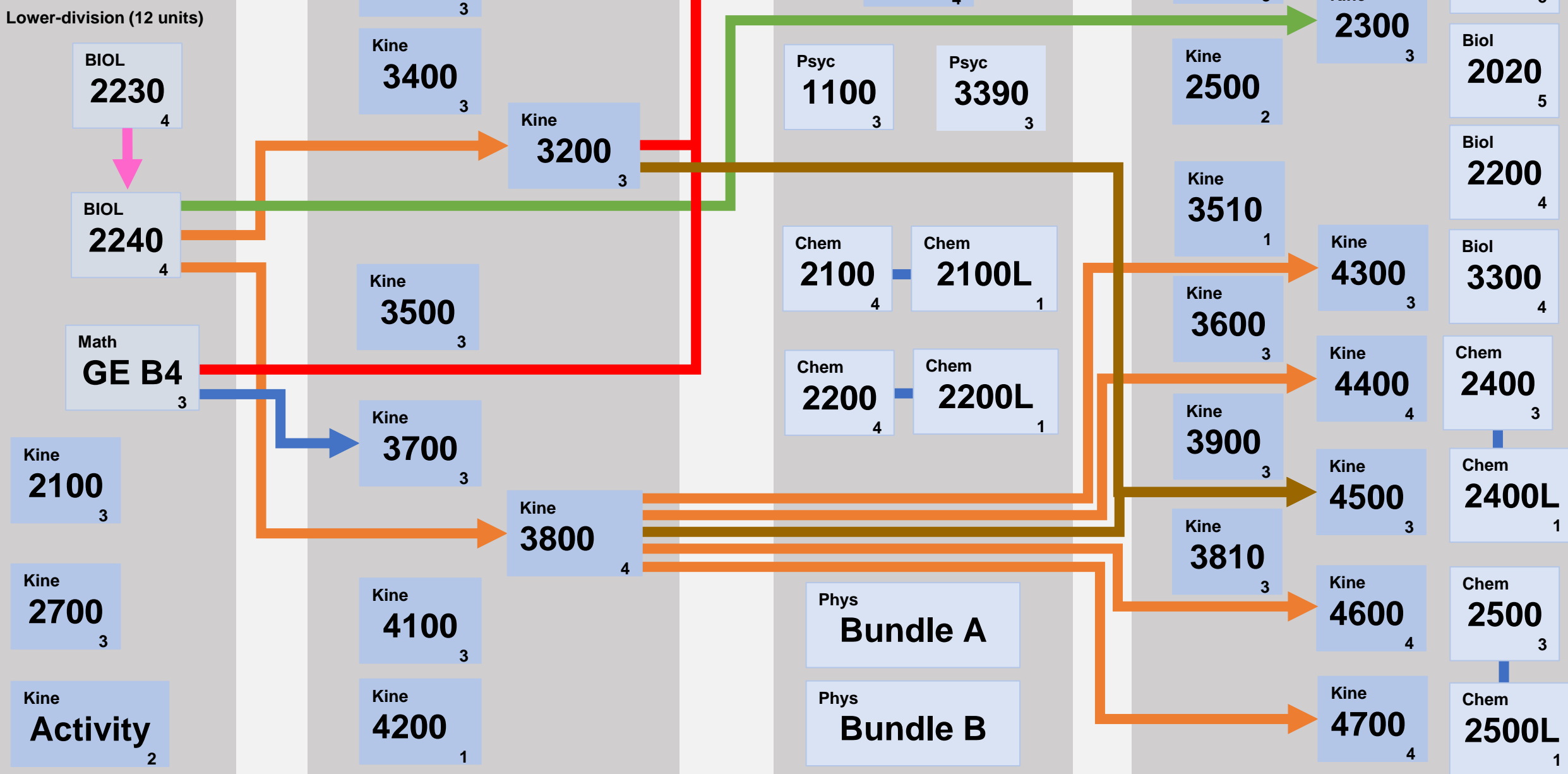
Allied Health Professions

Lower-division (12 units)

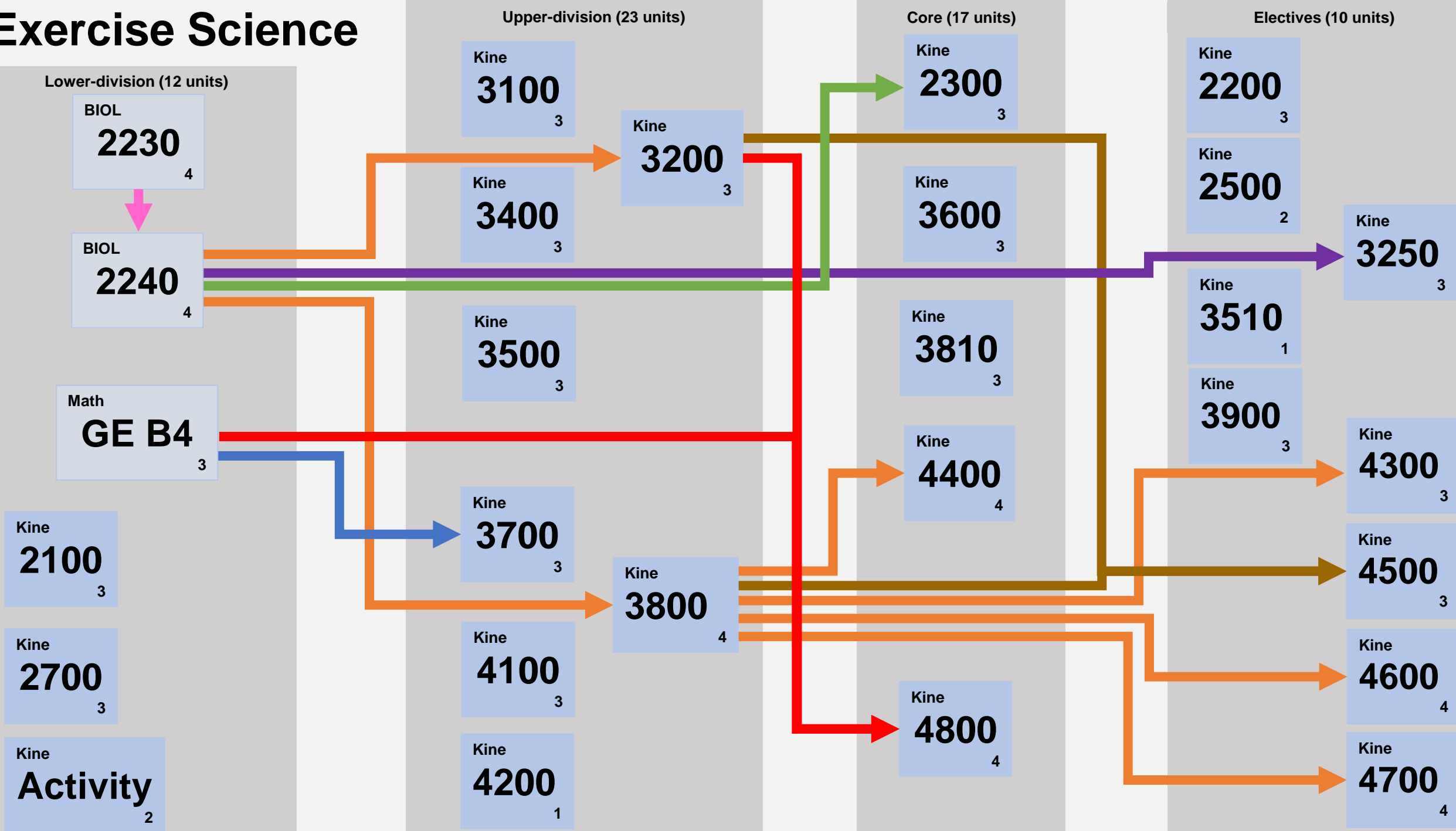
Upper-division (23 units)

Core (24 units)

Electives (10 units)



Exercise Science



Physical Education & Adapted Physical Education

Lower-division (12 units)

Upper-division (23 units)

PEAPE Requirements (36 units)

Observational hours needed for specific classes

Kine
1370 or
Pass Swim Test
1

Kine
2540
2

Kine
2650
3

BIOL
2230
4

Kine
3100
3

Kine
3400
3

Kine
3200
3

Kine
2611
2

Kine
3300
3

BIOL
2240
4

Kine
3500
3

Kine
2612
2

Kine
3320
3

Math
GE B4
3

Kine
3700
3

Kine
2620
3

Kine
3330
3

Kine
2100
3

Kine
3800
4

Kine
2630
3

Kine
4720
3

Kine
2700
3

Kine
4100
3

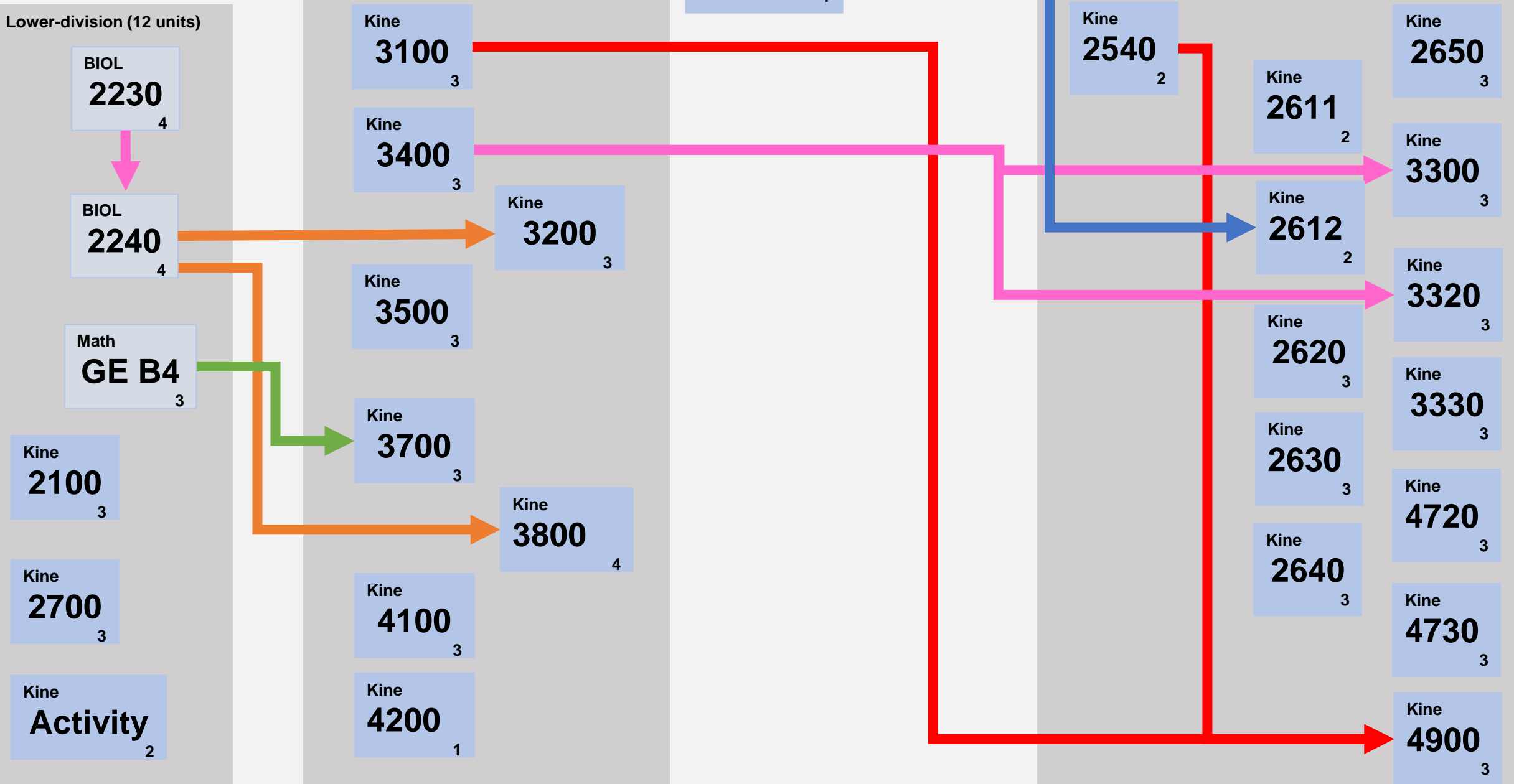
Kine
2640
3

Kine
4730
3

Kine
Activity
2

Kine
4200
1

Kine
4900
3



FREQUENTLY ASKED QUESTIONS

Anything I should pay attention to for Allied Health Professions?

Look out for pre-requisites

Take the right MATH (look at physics prereq – 1601 or 2210)

B.S. in Kinesiology - Allied Health Professions (AHP)

GE units required: 49
Major units required: 71 (this page)
Total units required for graduation: 120

Last updated: February 2024

KINESIOLOGY CORE REQUIREMENTS: 35 UNITS - does not include BIOL 2240 (4 units) or GE B4 (3 units) because they're already counted as GEs

Course Number	Course Name	Units	Prerequisites	Semester Offered	Quarter Equivalent	Notes
BIOL 2230	Human Anatomy & Physiology I	4		F	BIOL 223	
BIOL 2240	Human Anatomy & Physiology II	4	BIOL 2230	S	BIOL 224	Counts toward GE B2
MATH	GE Category B4	3		F,S		Counts toward GE B4; Suggest: ES/PEAPE (MATH 1301), AHP (MATH 1301, 1401, 1601, or 2210)
KINE Activity	2 units of LD activity (1-unit per course x 2)	2		F,S	KINE activity	PEAPE: Take KINE 2610 (Teaching/Coaching for Dance) instead (counts as 2 units)
KINE 2100	Orientation to Kinesiology	3		F,S	KINE 210 & 310	
KINE 2700	Introduction to Fitness and Programming	3		F,S	KINE 270	
KINE 3100	Introduction to Adapted Physical Activity	3		F,S	KINE 311	
KINE 3200	Principles of Human Movement	3	BIOL 2240	F,S		All students need this
KINE 3400	Psychology & Sociology of Human Movement	3		F,S	KINE 323 & 324	
KINE 3500	Motor Development Across the Lifespan	3		F,S	KINE 325	
KINE 3700	Statistics in Kinesiology (WI)	3	GE B4	F,S	KINE 370	WI: Counts as GE Writing-Intensive designation
KINE 3800	Exercise Physiology w/Lab	4	BIOL 2240	F,S	KINE 481	
KINE 4100	Motor Learning & Control	3		F,S	KINE 410	
KINE 4200	Seminar in Kinesiology	1	Senior Standing	F,S	KINE 490	

CONCENTRATION REQUIREMENTS - ALLIED HEALTH PROFESSIONS: 36 UNITS - does not include PSYC 1100 (3 units) & CHEM 2100 (3 units) because they're already counted as GEs

KINE 4800	Biomechanics w/Lab	4	GE B4, KINE 3200	F,S	KINE 480	
PSYC 1100	Introduction to Psychology	3			PSYC 100	Counts toward GE D3
PSYC 3390	Abnormal Psychology	3	PSYC 1100		PSYC 390	
CHEM 2100	General Chemistry I	4	MATH 1401, 1402, 1601, 2210, or 2220		CHEM 215	Counts toward GE B1 (3 units); prerequisite can be taken concurrently
CHEM 2100L	General Chemistry I Lab	1				
CHEM 2200	General Chemistry II	4	CHEM 2100 (≥C grade)		CHEM 216	
CHEM 2200L	General Chemistry II Lab	1				
PHYSICS - Choose either 10-unit bundle below:						
AHP Core (24 units)	Bundle A	PHYS 2000 - Introduction to Physics I	4	MATH 1601 or 2210 (≥C grade)		
		PHYS 2000L - Introduction to Physics I Lab	1	coreq : PHYS 2000		
		PHYS 2010 - Introduction to Physics II	4	PHYS 2000		PHYS 121 & 122
		PHYS 2010L - Introduction to Physics II Lab	1	PHYS 2000, PHYS 2000L		PHYS 122 & 123
	OR					
Bundle B	PHYS 2500 - General Physics I	4	MATH 2210			
	PHYS 2500L - General Physics I Lab	1	coreq : MATH 2220			
	PHYS 2510 - General Physics II	4	MATH 2220 & PHYS 2500		PHYS 221 & 222	
	PHYS 2510L - General Physics II Lab	1	MATH 2220 & PHYS 2500L		PHYS 222 & 223	

Save time & money: Take these as GEs

Don't need all of these physics courses; pick one bundle

Continue on next page

FREQUENTLY ASKED QUESTIONS

Anything I should pay attention to for Exercise Science?

B.S. in Kinesiology - Exercise Science (ES)

GE units required: 49

Major units required: 71 (this page)

Total units required for graduation: 120

Last updated: February 24, 2022

KINESIOLOGY CORE REQUIREMENTS: 35 UNITS - does not include BIOL 2240 (4 units) or GE B4 (3 units) because they're already counted as GEs

	Course Number	Course Name	Units	Prerequisites	Semester Offered	Quarter Equivalent	Notes
Lower-division (LD) (12 units)	BIOL 2230	Human Anatomy & Physiology I	4		F	BIOL 223	
	BIOL 2240	Human Anatomy & Physiology II	4	BIOL 2230	S	BIOL 224	Counts toward GE B2
	MATH	GE Category B4	3		F,S		Counts toward GE B4; Suggest: ES/PEAPE (MATH 1301), AHP (MATH 1301, 1401, 1601, or 2210)
	KINE Activity	2 units of LD activity (1-unit per course x 2)	2		F,S	KINE activity	PEAPE: Take KINE 2610 (Teaching/Coaching for Dance) instead (counts as 2 units)
	KINE 2100	Orientation to Kinesiology	3		F,S	KINE 210 & 310	
	KINE 2700	Introduction to Fitness and Programming	3		F,S	KINE 270	
Upper-division (UD) (23 units)	KINE 3100	Introduction to Adapted Physical Activity	3		F,S	KINE 311	
	KINE 3200	Principles of Human Movement	3	BIOL 2240	F,S		All students need this
	KINE 3400	Psychology & Sociology of Human Movement	3		F,S	KINE 323 & 324	
	KINE 3500	Motor Development Across the Lifespan	3		F,S	KINE 325	
	KINE 3700	Statistics in Kinesiology (WI)	3	GE B4	F,S	KINE 370	WI: Counts as GE Writing-intensive designation
	KINE 3800	Exercise Physiology w/Lab	4	BIOL 2240	F,S	KINE 481	
	KINE 4100	Motor Learning & Control	3		F,S	KINE 410	
	KINE 4200	Seminar in Kinesiology	1	Senior Standing	F,S	KINE 490	

Don't take all of these; only pick up to 10 units

CONCENTRATION REQUIREMENTS - EXERCISE SCIENCE: 36 UNITS

	Course Number	Course Name	Units	Prerequisites	Semester Offered	Quarter Equivalent	Notes
ES Co (17 units)	KINE 2300	Prevention & Care of Athletic Injuries	3	BIOL 2240	F,S	KINE 305	
	KINE 3600	Physical Activity & Aging	3		F,S	KINE 360	
	KINE 3810	Sports & Exercise Nutrition	3		F,S	KINE 382	
	KINE 4400	Exercise Testing & Prescription w/Lab	4	KINE 3800	F,S	KINE 486 & 483	
	KINE 4800	Biomechanics w/Lab	4	GE B4, KINE 3200	F,S	KINE 480	
ES Electives (choose 10 units)	KINE 2200	Medical Terminology	3		F,S		
	KINE 2500	Observational Field Experience in ES/AHP	2		F,S	KINE 493	
	KINE 3250	Exercise Techniques for Resistance Training w/Lab	3	BIOL 2240	F		
	KINE 3510	Exercise Science Research Seminar	1		S		
	KINE 3900	Health & Fitness Business Management	3		F,S	KINE 471	
	KINE 4300	Environmental Exercise Physiology	3	KINE 3800	S		
	KINE 4500	Principles of Strength & Conditioning	3	KINE 3200 & 3800	S		
KINE 4600	EKG Interpretation & Stress Testing w/Lab	4	KINE 3800	F,S	KINE 485 & 486		
KINE 4700	Clinical Exercise Physiology w/Lab	4	KINE 3800	S			

Other Electives (9 units)	Students must take 9 units of any course from any department to meet this requirement.	Choose courses that might benefit future career path, such as: • Other kinesiology courses to prepare for ACSM EP or NSCA CSCS exam • Courses in business, foreign language, psychology courses, etc

FREQUENTLY ASKED QUESTIONS

Anything I should pay attention to for **PEAPE**?

B.S. in Kinesiology - Physical Education & Adapted Physical Education (PEAPE)

GE units required: 49

Major units required: 71 (this page)

Total units required for graduation: 120

Last updated: February 24, 2022

KINESIOLOGY CORE REQUIREMENTS: 35 UNITS - does not include BIOL 2240 (4 units) or GE B4 (3 units) because they're already counted as GEs

	Course Number	Course Name	Units	Prerequisites	Semester Offered	Quarter Equivalent	Notes
Lower-division (LD) (12 units)	BIOL 2230	Human Anatomy & Physiology I	4		F	BIOL 223	
	BIOL 2240	Human Anatomy & Physiology II	4	BIOL 2230	S	BIOL 224	Counts toward GE B2
	MATH	GE Category B4	3		F,S		Counts toward GE B4; Suggest: ES/PEAPE (MATH 1301), AHP (MATH 1301, 1401, 1601, or 2210)
	KINE Activity	2 units of LD activity (1-unit per course x 2)	2		F,S	KINE activity	PEAPE: Take KINE 2610 (Teaching/Coaching for Dance) instead (counts as 2 units)
	KINE 2100	Orientation to Kinesiology	3		F,S	KINE 210 & 310	
	KINE 2700	Introduction to Fitness and Programming	3		F,S	KINE 270	
Upper-division (UD) (23 units)	KINE 3100	Introduction to Adapted Physical Activity	3		F,S	KINE 311	
	KINE 3200	Principles of Human Movement	3	BIOL 2240	F,S		All students need this
	KINE 3400	Psychology & Sociology of Human Movement	3		F,S	KINE 323 & 324	
	KINE 3500	Motor Development Across the Lifespan	3		F,S	KINE 325	
	KINE 3700	Statistics in Kinesiology (WI)	3	GE B4	F,S	KINE 370	WI: Counts as GE Writing-intensive designation
	KINE 3800	Exercise Physiology w/Lab	4	BIOL 2240	F,S	KINE 481	
	KINE 4100	Motor Learning & Control	3		F,S	KINE 410	
	KINE 4200	Seminar in Kinesiology	1	Senior Standing	F,S	KINE 490	

Must take all of these

CONCENTRATION REQUIREMENTS - PHYSICAL EDUCATION & ADAPTED PHYSICAL EDUCATION: 36 UNITS

	Course Number	Course Name	Units	Prerequisites	Semester Offered	Quarter Equivalent	Notes
PEAPE Requirements (36 units)	KINE 2540	Field Work in PEAPE w/Lab	2		F,S	KINE 254	
	KINE 2611	Teaching/Coaching for Gymnastics	2		F,S	KINE 261F	
	KINE 2612	Teaching/Coaching for Swimming	2	KINE 1370A or pass swim test	F,S	KINE 261H	
	KINE 2620	Teaching/Coaching for Combative/Fitness	3		F,S	KINE 261 (one of M/N)	
	KINE 2630	Teaching/Coaching for Individual/Dual Sports	3		F,S	KINE 261 (one of B/G/J)	
	KINE 2640	Teaching/Coaching for Team Sports	3		F,S	KINE 263 A-E (4 courses)	
	KINE 2650	Teaching/Coaching for Fundamental Movement, Nontraditional Games	3		F,S		
	KINE 3300	Movement Skill Assessment for Individuals with Disabilities	3	KINE 3100	F,S	KINE 330	
	KINE 3320	The Nature and Issues Concerning Individuals with Disabilities	3	KINE 3100	F,S	KINE 332	
	KINE 3330	Applied Behavior Management	3		F,S	KINE 333	
	KINE 4720	Program Design in Physical Education	3		F,S	KINE 472	
	KINE 4730	Instructional Strategies in Physical Education	3		F,S	KINE 473	
	KINE 4900	Seminar in PEAPE	3	KINE 2540, 3100, & 90 Semester Units	F,S	KINE 334 & 490	

FREQUENTLY ASKED QUESTIONS

How do I declare AHP for my concentration?

- Follow admission criteria list
 1. Minimum CSUSB cumulative GPA: 3.2
 2. Complete following with grade of C or higher
 - a) MATH 1401, 1601, or 2210 (qualifies for all concentrations)
 - b) BIOL 2230 (qualifies for all concentrations)
 - c) BIOL 2240 (qualifies for all concentrations)
 - d) One of the following:
 - Group A: CHEM 2100, CHEM 2100 L, CHEM 2200, CHEM 2200L
 - Group B: PHYS 2000, PHYS 2000L, PHYS 2010, PHYS 2010L
 - Group C: PHYS 2500, PHYS 2500L, PHYS 2510, PHYS 2510L
- After these criteria are met, student may [change major online](#)
- When nearing completion of admission criteria, if GPA is not over a 3.2, do not continue taking courses in this concentration. Choose a different concentration.
 - If a student has a 3.1 GPA and wants to take more AHP classes hoping to get a 3.2 GPA to enter the AHP concentration, this is not a good idea.
 - There is a risk of taking all the AHP courses and not meeting the GPA requirement, thus not qualifying to change concentration, and having to continue with a different concentration anyway (should have been done early to avoid wasting time and money)

FREQUENTLY ASKED QUESTIONS

What courses from my junior college count for courses at CSUSB?

- See www.assist.org to look for course articulations (i.e., equivalents)

What is this Kinesiology Safety Acknowledgement I hear about?

- Prior to registering for any KINE courses, each student must complete the [Kinesiology Safety Acknowledgement](#)



FREQUENTLY ASKED QUESTIONS

What are the PAWS and MyCap that I keep hearing about?

1. [Watch this 3-min video](#) for an introduction
2. Open MyCap
 1. Left panel = **PAWS**: list of all the required courses to graduate
 2. Right panel = **MyCap**: an outline of semesters for student to plan courses
- a. In PAWS panel, click "**Collapse All**" and look for red Xs

Undergraduate myCAP Builder

Audit: KAHF-BS

Program: Kinesiology--Allied Health Professions Conc--BS
Effective: Fall 2022

Expand All Collapse All

EXAMINATION PASSED WZ = WEIGHT ADJUSTED - TWO OR MORE FAILED GRADES COMBINE
MR = MET REQUIREMENT >S = SPLIT COURSE
NT = NONTRANSFERABLE COURSE (1F) = YEAR/TERM (1ST YEAR/FALL)
CB = CREDIT BY EXAM >PL = PLANNED COURSE
(R)= REQUIRED COURSE

LEGEND

- > UNIVERSITY FOUNDATIONS
- > DISCIPLINARY PERSPECTIVES SCIENTIFIC INQUIRY
- > UPPER-DIVISION GENERAL EDUCATION SCIENTIFIC INQUIRY
- > DISCIPLINARY PERSPECTIVES ARTS AND HUMANITIES
- > UPPER-DIVISION GENERAL EDUCATION ARTS AND HUMANITIES
- > DISCIPLINARY PERSPECTIVES SOCIAL SCIENCES
- > UPPER-DIVISION GENERAL EDUCATION SOCIAL SCIENCES

myCAP: 81 Units

Expand All / Collapse All

> Fall 2022	15 Units	<input type="checkbox"/>	<input type="checkbox"/>
> Spring 2023	15 Units	<input type="checkbox"/>	<input type="checkbox"/>
> Summer 2023	0 Units	<input type="checkbox"/>	<input type="checkbox"/>
> Fall 2023	15 Units	<input type="checkbox"/>	<input type="checkbox"/>
> Spring 2024	16 Units	<input type="checkbox"/>	<input type="checkbox"/>
> Summer 2024	0 Units	<input type="checkbox"/>	<input type="checkbox"/>
> Fall 2024	12 Units	<input type="checkbox"/>	<input type="checkbox"/>
> Spring 2025	8 Units	<input type="checkbox"/>	<input type="checkbox"/>

FREQUENTLY ASKED QUESTIONS

What are the PAWS and MyCap that I keep hearing about?

4. Drag and drop class from left PAWS panel to a semester in MyCap panel on the right; pay attention to:
 - a. **"NEEDS"**: this specifies how many courses or units needed for this section
 - b. **"SELECT FROM"**: this lists possible classes
5. Click check mark to update PAWs panel to change red X to purple calendar icon (green = done, blue = in progress)

The screenshot displays the PAWS (Program Audit) and MyCap (My Course Audit) interface. The left panel shows the audit for 'KAHP-BS' with a planned 24.00 units. The right panel shows the MyCap interface for Fall 2022 and Spring 2023, with a total of 81 units. A red box highlights a checkmark icon in the MyCap interface, and red arrows point from this icon to the 'NEEDS' and 'SELECT FROM' fields in the PAWS panel.

PAWS Panel (Left):

- Audit: KAHP-BS
- Program: Kinesiology--Allied Health Professions Conc--BS
- Effective: Fall 2022
- Expand All / Collapse All
- IN-PROGRESS: 7.00 UNITS
- PLANNED: 24.00 UNITS
- 1) ANATOMY AND PHYSIOLOGY I AND II REQUIRED COURSES
 - 0.00 UNITS EARNED 0 COURSES TAKEN
 - IN-P ---> 4.00 UNITS 1 COURSE TAKEN
 - PLANNED: 4.00 UNITS 1 COURSE TAKEN
 - F22 BIOL2230 4.00 RG
 - SP23 BIOL2240 4.00 PL >PL Human Anatomy and Physiology
- 2) MATH GE CATEGORY B4 MATH1601 OR MATH 2210 IS REQUIRED
 - 3.00 UNITS EARNED 1 COURSE TAKEN
 - F21 MATH2210>A 3.00 AP
- 3) KINESIOLOGY CORE ACTIVITY COURSES MINIMUM 2 UNITS CHOSEN FROM
 - 0.00 UNITS EARNED 0 COURSES TAKEN
 - PLANNED: 3.00 UNITS 1 COURSE TAKEN
 - SP23 KINE1140D 3.00 PL >PL Physical Fitness and Conditio
- 4) LOWER-DIVISION CORE REQUIRED COURSES
 - 6.00 UNITS EARNED 2 COURSES TAKEN

MyCap Panel (Right):

- 81 Units
- Expand All / Collapse All
- Fall 2022 15 Units
- Add Course Add Message
- BIOL2230 (4 Units) Human Anatomy and Physiology I for Allied Health Majors RG
- CHEM2100 (4 Units) General Chemistry I RG
- CHEM2100L (1 Unit) General Chemistry I Laboratory RG
- COMM3334 (3 Units) Global Cinema RG
- KINE3700 (3 Units) Statistics in Kinesiology RG
- Spring 2023 15 Units
- Add Course Add Message
- BIOL2240 (4 Units) Human Anatomy and Physiology II for Allied Health Majors
- CHEM2200 (4 Units) General Chemistry II
- CHEM2200L (1 Unit)

FREQUENTLY ASKED QUESTIONS

What are the PAWS and MyCap that I keep hearing about?

6. Plan between **12 – 18** units for next semester
7. Plan an additional **12 – 18** units for another semester after that to have back-up plan
8. When registering for next semester, if a class does not fit, move it down to next semester, and move something else up.
9. Ideally, plan all courses until graduation; will then give student clear graduation goal

Program: Kinesiology--Allied Health Professions Conc--BS
Effective: Fall 2022
[Expand All](#) / [Collapse All](#)

0.00 UNITS EARNED	0 COURSES TAKEN
PLANNED:	4.00 UNITS
F23 KINE3800	4.00 PL >PL Exercise Physiology

7) SEMINAR IN KINESIOLOGY
REQUIRED COURSE

0.00 UNITS EARNED	0 COURSES TAKEN
PLANNED:	1.00 UNIT
F23 KINE4200	1.00 PL >PL Seminar in Kinesiology

KINESIOLOGY-ALLIED HEALTH PROFESSIONS CONCENTRATION

PL EARNED: 6 SUB-REQTS
IN-PROGRESS: 5.00 UNITS
PLANNED: 28.00 UNITS

0.00 UNITS EARNED	0 COURSES TAKEN
PLANNED:	6.00 UNITS
F24 PSYC1100	3.00 PL >PL Introduction to Psychology
SP25 PSYC3390	3.00 PL >PL Abnormal Psychology

2) GENERAL CHEMISTRY I

[Expand All](#) / [Collapse All](#)

Spring 2023 15 Units

Add Course Add Message

- BIOL2240 (4 Units)
Human Anatomy and Physiology II for Allied Health Majors
- CHEM2200 (4 Units)
General Chemistry II
- CHEM2200L (1 Unit)
General Chemistry II Laboratory
- KINE3100 (3 Units)
Introduction to Adapted Physical Activity
- KINE1140D (3 Units)
Physical Fitness and Conditioning Activities: Weight Training

Summer 2023 0 Units

Fall 2023 15 Units

Add Course Add Message

- KINE3800 (4 Units)
Exercise Physiology
- KINE2300 (3 Units)

FREQUENTLY ASKED QUESTIONS

What are the PAWS and MyCap that I keep hearing about?

9. Ideally, plan all courses until graduation; will then give student clear graduation goal
 - Ex) This student plans to graduate after finishing in **Spring 2025**

Program: Kinesiology--Allied Health Professions Conc--BS
Effective: Fall 2022
[Expand All](#) / [Collapse All](#)

fulfilled with courses from upper-division GE or the major

- > KINESIOLOGY-ALLIED HEALTH PROFESSIONS CONC SUMMARY
MINIMUM 2.00 OVERALL G.P.A. REQUIRED IN MAJOR
- > KINESIOLOGY-ALLIED HEALTH PROFESSIONS CONCENTRATION CORE
- > KINESIOLOGY-ALLIED HEALTH PROFESSIONS CONCENTRATION
- > ELECTIVES - COURSES NOT PREVIOUSLY USED IN GE OR MAJOR -
UNITS HAVE BEEN APPLIED TOWARD OVERALL GRADUATION REQ'TS
- > GENERAL GRADUATION REQUIREMENTS
MINIMUM 120 UNITS REQUIRED
TOTAL UNITS APPLYING TO OVERALL 120 UNITS
WITH EXCESS UNITS ADJUSTED, IF APPLICABLE
INCLUDES CURRENT REGISTRATION
- > 3.20 OVERALL CUMULATIVE GPA
REQUIRED IN ALL BACCALAUREATE-LEVEL COURSES
WHETHER OR NOT USED TOWARD MEETING REQUIREMENTS
- > CSUSB GPA OF 2.00 REQUIRED IN ALL
CSUSB BACCALAUREATE-LEVEL COURSES

PDF 81 Units

[Expand All](#) / [Collapse All](#)

> Fall 2022	15 Units		
> Spring 2023	15 Units		
> Summer 2023	0 Units		
> Fall 2023	15 Units		
> Spring 2024	16 Units		
> Summer 2024	0 Units		
> Fall 2024	12 Units		
> Spring 2025	8 Units		

FINAL THOUGHTS

- **Refer to this slide deck for help with planning courses on MyCap**
- **Use MyCap because it is electronically connected to the PAWS, which is an outline of all the required courses**
 - Keeps student on track
 - Less stress about what classes to take
- **Ask a Kinesiology advisor to check your plan**
 - Dr. Jason Ng (jason.ng@csusb.edu)
 - Cameron Van Wye (Cameron.VanWye@csusb.edu)
 - Advisors will not make your plan for you but will check your plan
- **Go plan some classes on MyCap**

